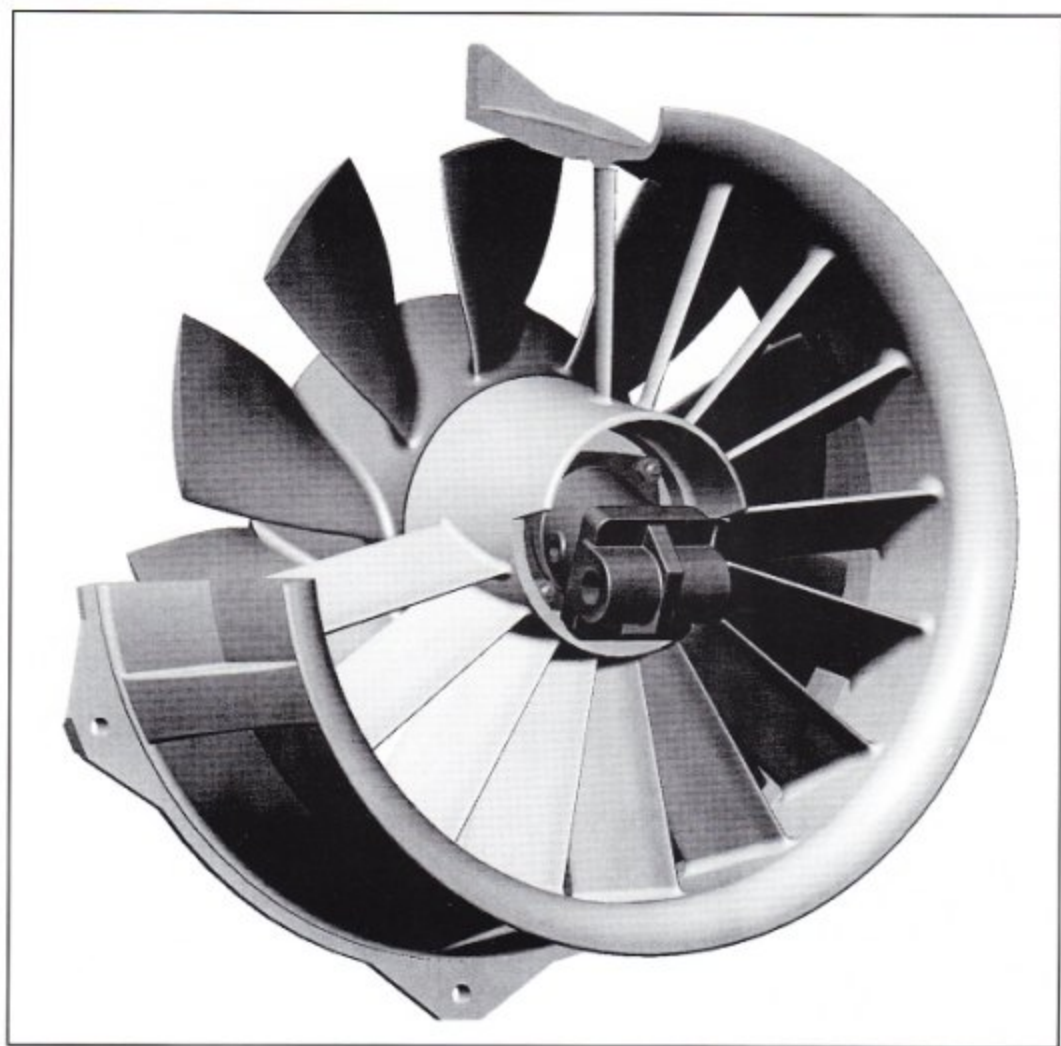


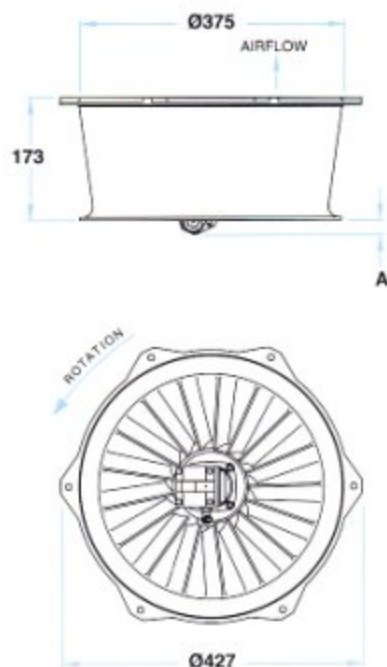
SCFM CORPORATION

MIXED FLOW FANS

FOR ENGINE COOLING



91200

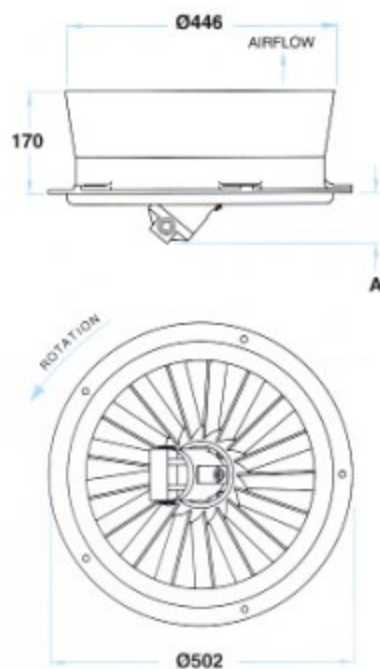


Hydraulic motor drive as shown.
Dimension A = 22 mm for 5cc motor.

Nominal Weight - Less Drive System = 9 kg.
Nominal Weight - With Typical Hydraulic Motor = 12 kg.

Shaft drive versions available for all speed & power combinations.
Other fan mounting configurations available.

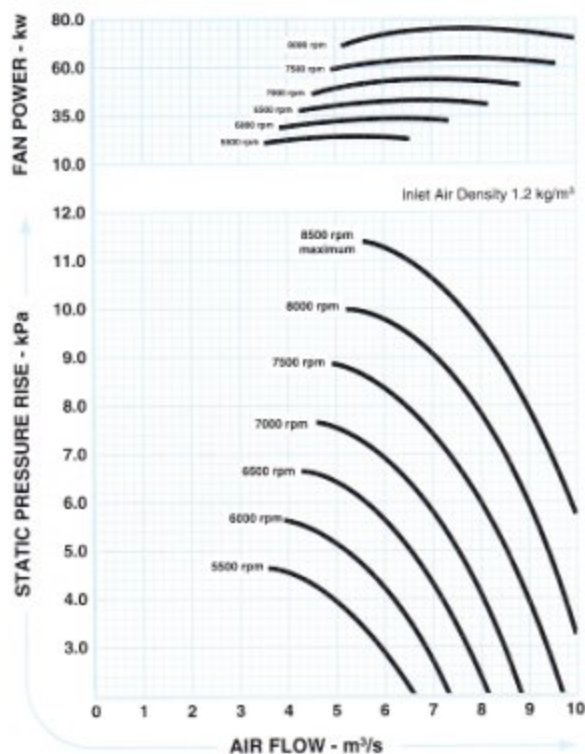
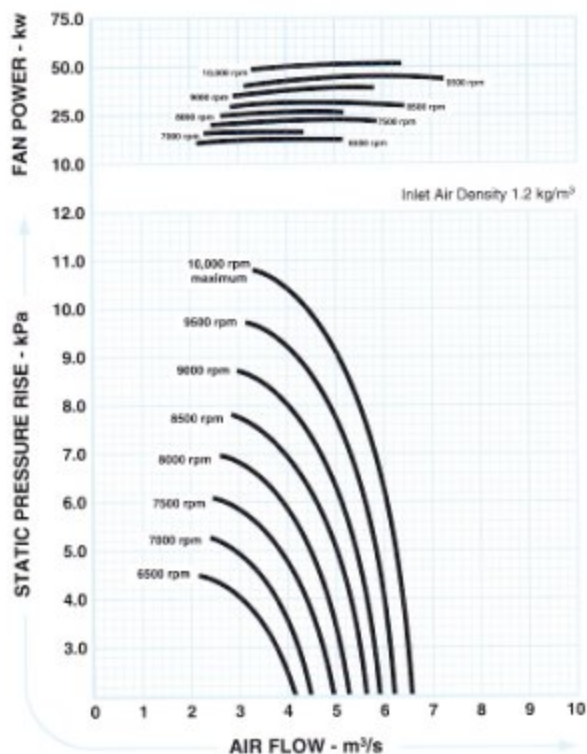
91350



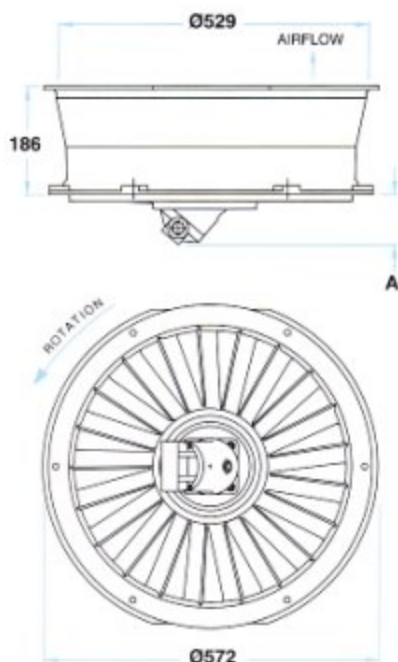
Hydraulic motor drive as shown.
Dimension A = 86 mm for 10cc, 12cc & 16cc motors.

Nominal Weight - Less Drive System = 16 kg.
Nominal Weight - With Typical Hydraulic Motor = 22 kg.

Shaft drive versions available for all speed & power combinations.
Other fan mounting configurations available.



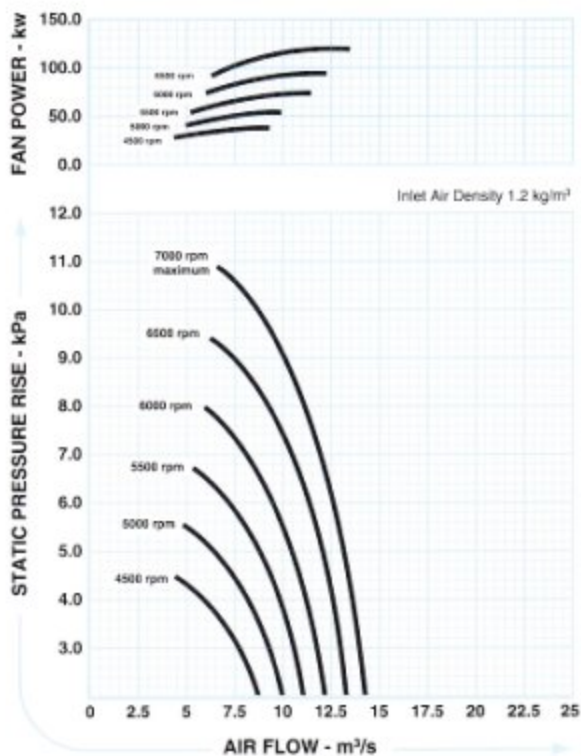
91450



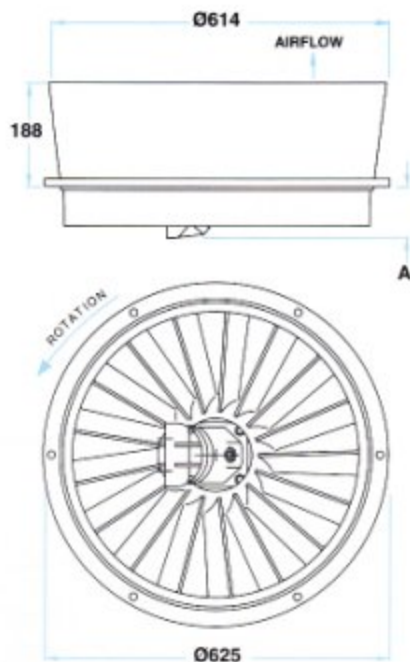
Hydraulic motor drive as shown.
 Dimension A = 85 mm for 10cc, 12cc, 16cc & 19cc motors.
 Dimension A = 109 mm (max) for 23cc, 28cc & 32cc motors.

Nominal Weight - Less Drive System = 22 kg
 Nominal Weight - With Typical Hydraulic Motor = 28 kg./32 kg.

Shaft driven versions available for all speed & power combinations.
 Other fan mounting configurations available.



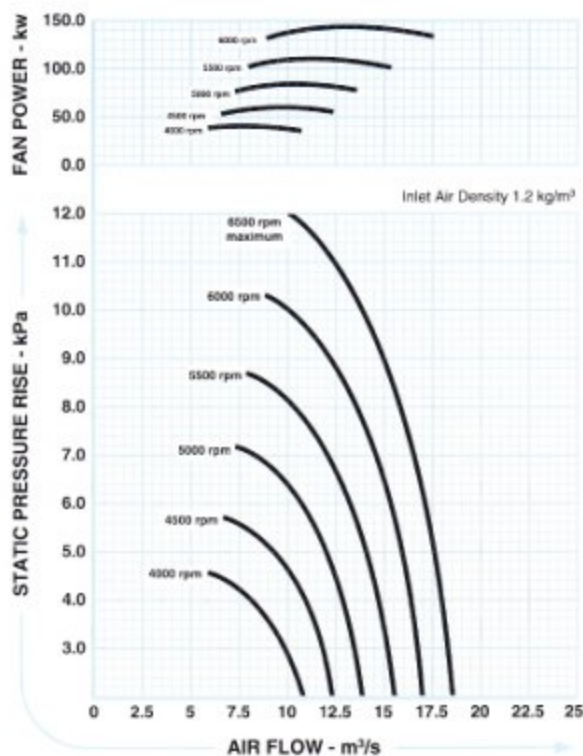
91500



Hydraulic motor drive as shown.
 Dimension A = 95mm for 23cc, 28cc & 32cc motors.

Nominal Weight - Less Drive System = 42 kg.
 Nominal Weight - With Typical Hydraulic Motor = 52 kg.

Shaft drive versions available for all speed & power combinations.
 Other fan mounting configurations available.



DRIVE OPTIONS

- Belt Drive
- Right angle drive gearbox
- Hydraulic motor

MATERIALS

- Cast aluminum or magnesium

CONFIGURATION

- Alternative mounting arrangements available

SCFM also manufactures many standard military vehicle engine cooling fans, including:

- M113 part number 12269363, NSN 4140-01-111-2267
 - M113A2 part number 12253584, NSN 2930-01-107-9902
 - M113A3 part number 12349795-1, NSN 4140-01-319-2899
 - M548 part number 10949797, NSN 2930-00-918-4192
 - M551 part number 11665373, NSN 4140-00-144-6833
 - Bradley/MLRS part number 12367532, NSN 4140-01-310-1985
-



1153 Red Gum Street
Anaheim, California 92806 USA
Phone: 714-630-7236 Fax: 714-630-7744

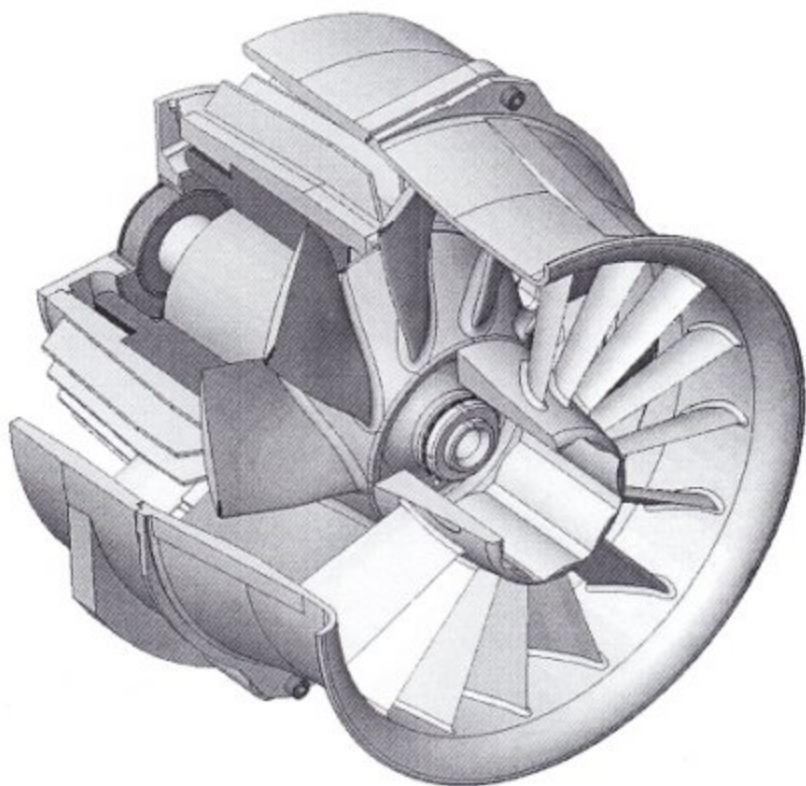
EXCLUSIVELY FROM
Gallay

GALLAY LIMITED Paterson Road
Wellingborough NN8 4BZ
Tel: (01933) 224801 Fax: (01933) 279902

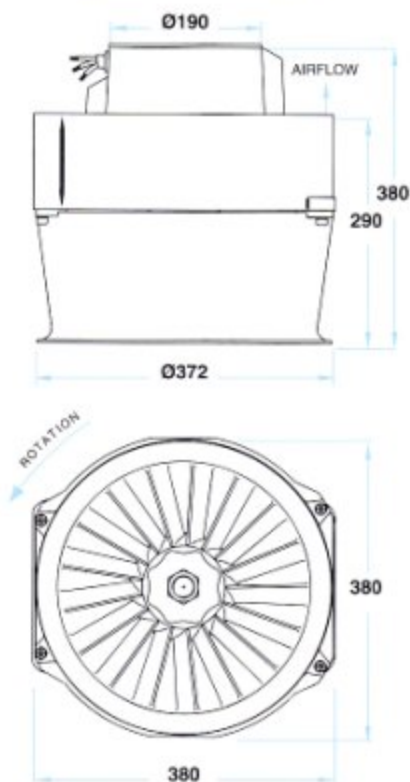
SCFM CORPORATION

ELECTRIC DRIVE MIXED FLOW FANS

FOR ENGINE COOLING



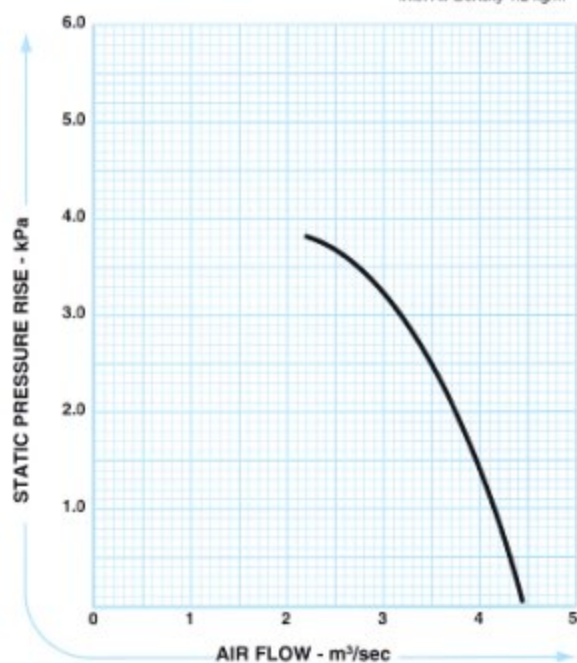
9E200



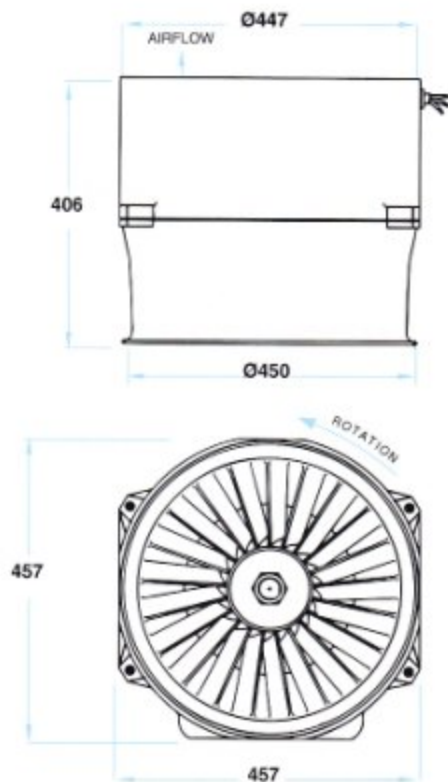
Nominal Weight - 54 kg.
Nominal Input Power - 11 kw

Electrical Supply - 440 VAC, 3 ph, 340 hz

Fan Speed 6,500 rpm
Inlet Air Density 1.2 kg/m³



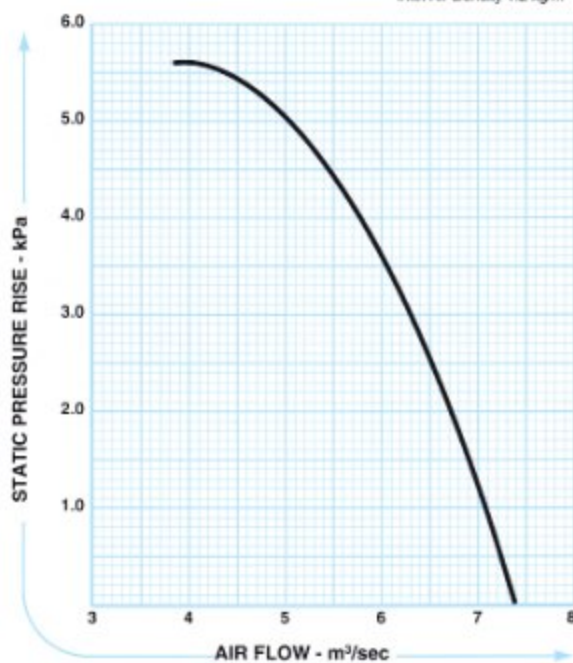
9E350



Nominal Weight - 70 kg.
Nominal Input Power - 28 kw

Electrical Supply - 440 VAC, 3 ph, 340 hz

Fan Speed 6,500 rpm
Inlet Air Density 1.2 kg/m³

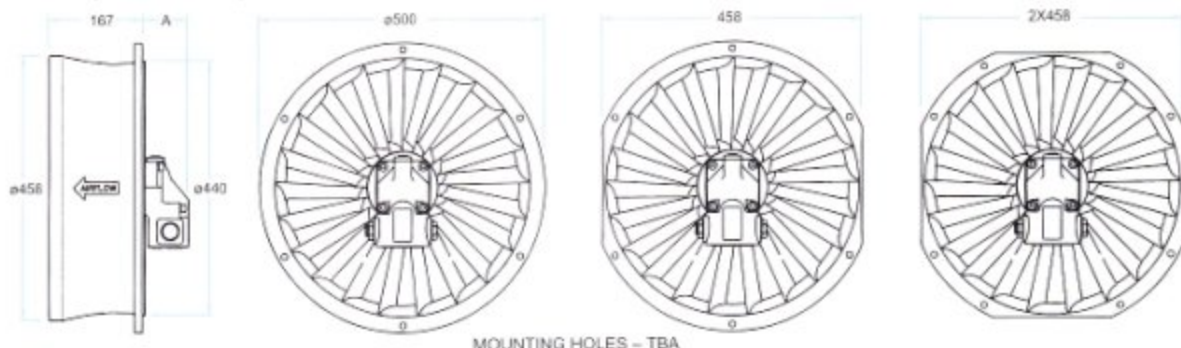


MIXED FLOW FAN

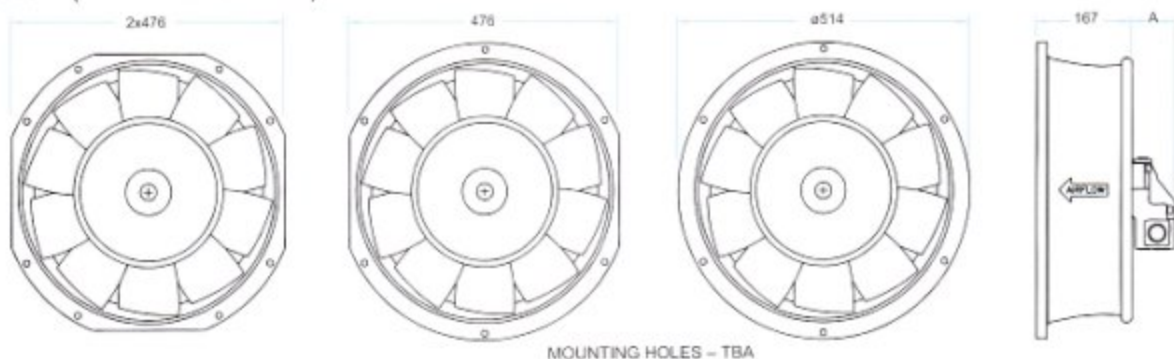
P/N 91350

SCFM CORPORATION'S Mixed Flow Fan P/N 91350 has been upgraded to add more mounting options and reduce the overall width of the fan while, at the same time still keeping the same overall performance and efficiency.

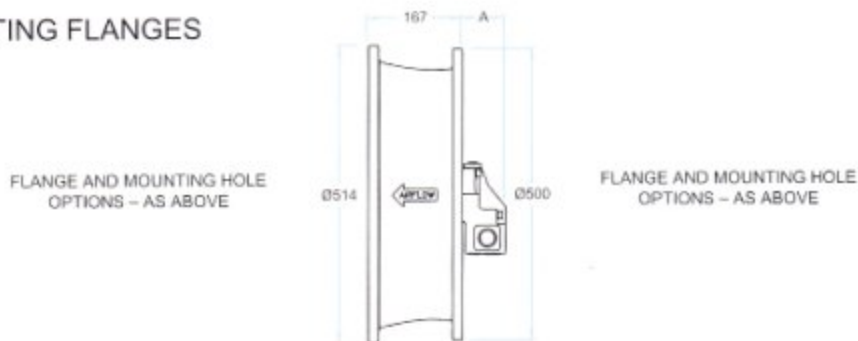
FRONT (AIR INLET) MOUNTING FLANGE



BACK (AIR DISCHARGE) MOUNTING FLANGE



TWO MOUNTING FLANGES



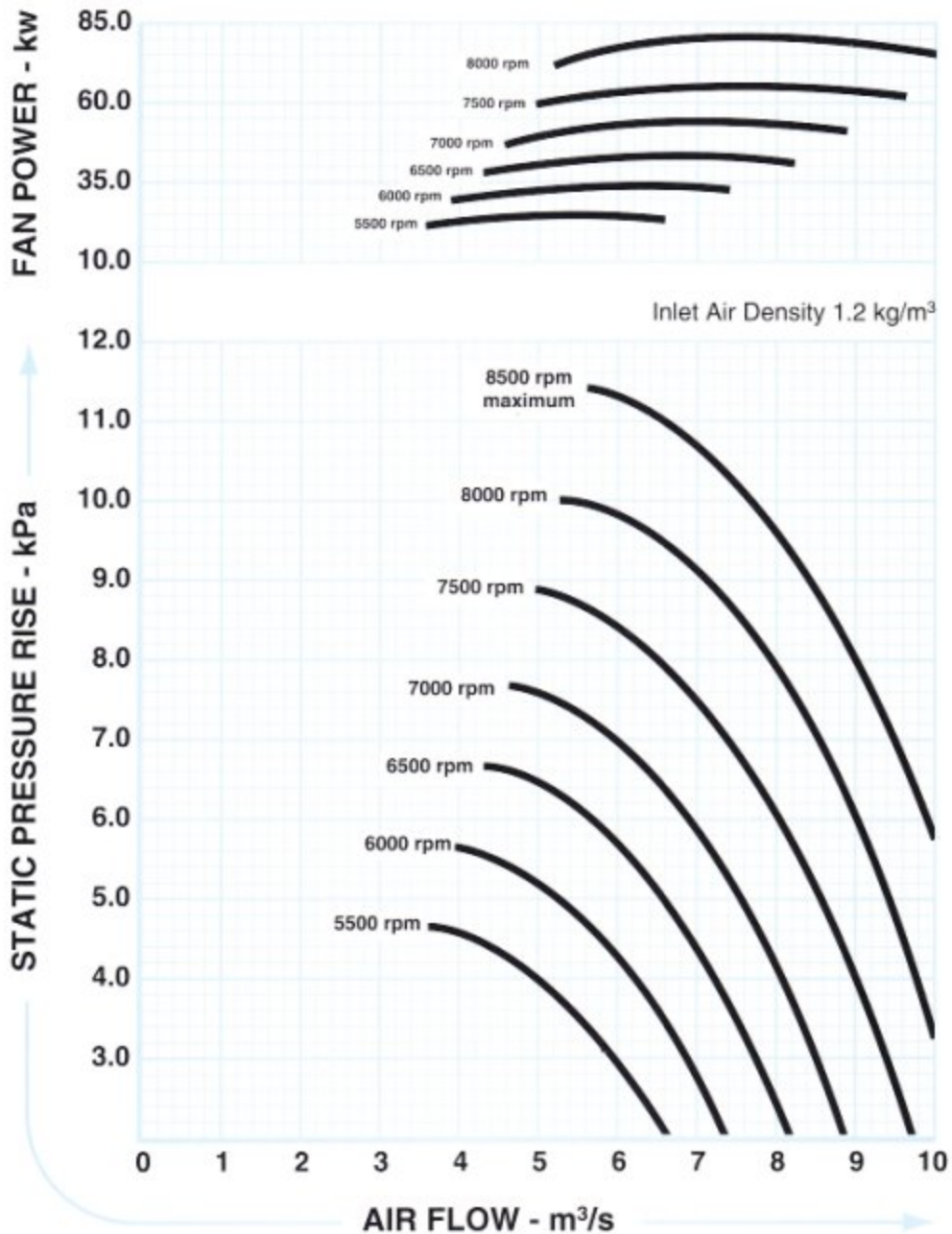
Hydraulic motors that can be fitted in the fan are:

Parker 10cc, 12cc & 14cc - Dimensions A = 76.2 mm - Fan weight* \approx 24.0 kg

Rexroth 10cc, 12cc & 16cc - Dimensions A = 92.7 mm - Fan weight* \approx 21.1 kg

Rexroth 23cc, 28cc & 32cc - Dimensions A = 106.7 mm - Fan weight* \approx 25.2 kg

(*Fan weight is for the front mounting flange version)



Exclusively from

Gallay

SCFM
CORPORATION

Gallay Limited, Paterson Road
Wellingborough, Northants NN8 4BZ, UK
Tel: 44 (0) 1933 224801 Fax: 44 (0) 1933 279902

1153 Red Gum Street
Anaheim, California 92806 USA
Phone: 714-630-7236 Fax: 714-630-7744
Email: sales@SCFMfans.com